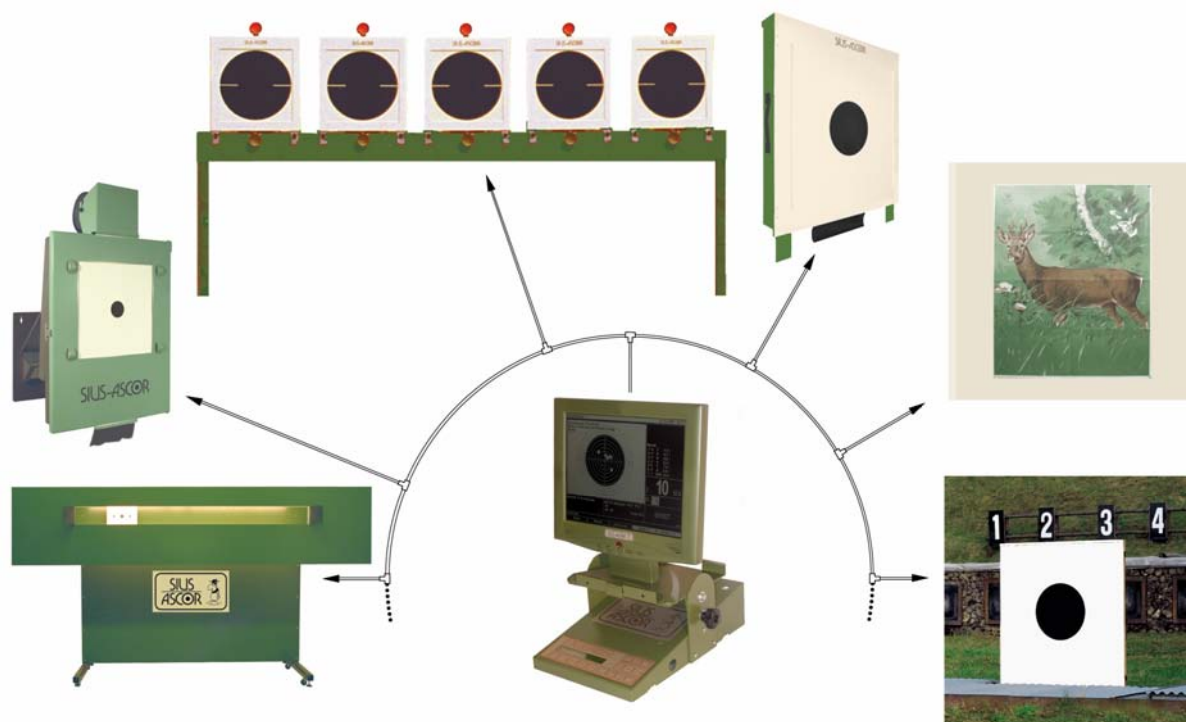


Electronic Targets

SA941 Catalogue

Sport-Shooting and Hunting



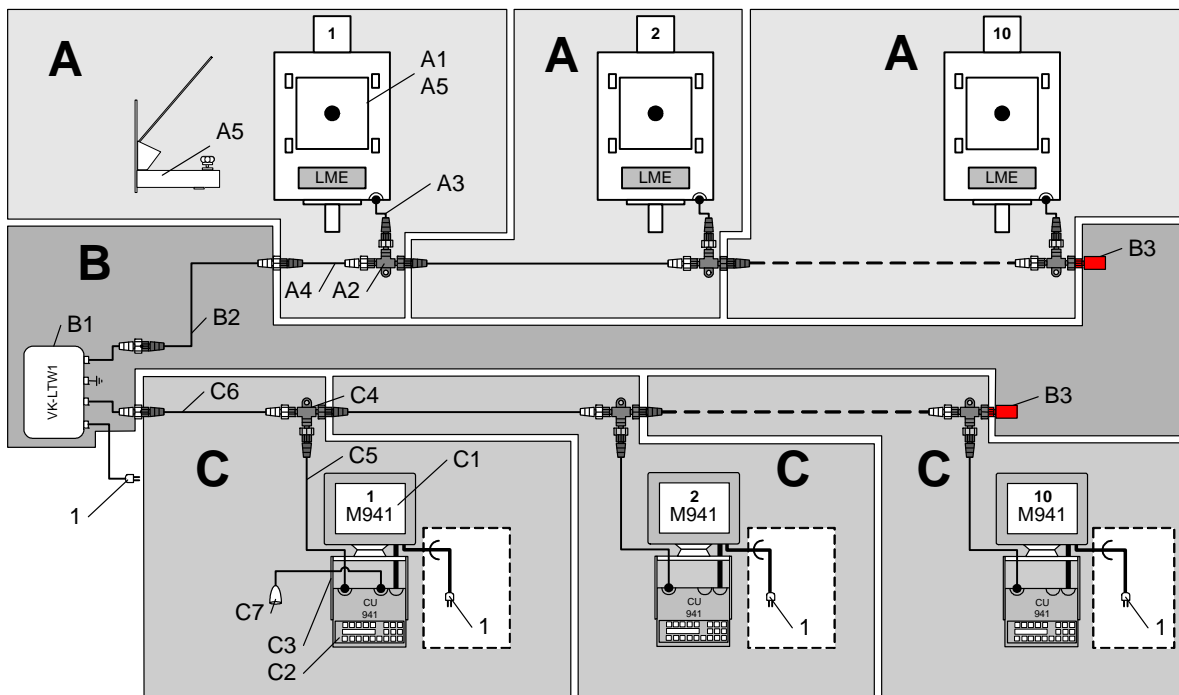
SIUS AG
Im Langhag 1
CH-8307 Effretikon
Switzerland
Tel.: +41 (0)52 354 60 60
Fax: +41 (0)52 354 60 66
Internet: <http://www.sius.com>
E-Mail: info@sius.com

2 SA941 basic installation sets and targets

2.1 Air rifle / air pistol installations 10m, S10-LON

2.1.1 Installation overview S10-LON 10m

The installation is divided into 3 sets: a target set (A), a cable and power supply set (B) and a firing point set (C). Each lane requires a target set (A) and a firing point set (C). The cable and power supply set (B) is designed for a maximum of 10 lanes. In addition, power supply cables are required (connecting cable: device to country-specific plug) (Pos. 1). The setup is as follows:



Pos.	Article No.	Pcs.	Description	Chapter
A	S10-LTW-SET	1	Target set air rifle / air pistol LTW	
A1	S10-LON	1	10m target for air rifle / air pistol	2.1.2
A2	KL001-T	1	T-Adaptor fem, fem, male LTW IP67	3.2.4
A3	KL003-2.0	1	Cable LTW m – RJ45 2.0m	3.2.7
A4	KL001-2.0	1	Cable LTW m – f 2.0m plug, black	3.2.6
A5	WHS10	1	Wall-mounted target holder with bullet trap	2.1.4.4
B	10M-LTW-SET	1	Cable and power supply set for 10m LTW	3.2.1.1
B1	VK-LTW1V0	1	Power supply for 10 lines 60W with LTW 230V	3.2.2
B2	KL001-20.0	1	Cable LTW m – f 20.0m plug, black	3.2.6
B3	KL001-R	2	Terminating resistor, red, male LTW IP67	3.2.5
C	FP941-LTW-SET	1	Firing point set LTW	3.1.1
C1	M941	1	Monitor TFT 10.4" VGA 640x480	3.1.3
C2	CU941	1	Control unit	3.1.2
C3	HST941	1	Monitor holder for CU941, small	3.1.9.1
C4	KL001-T	1	T-Adaptor fem, fem, male LTW IP67	3.2.4
C5	KL003-2.0	1	Cable LTW m – RJ45 2.0m	3.2.7

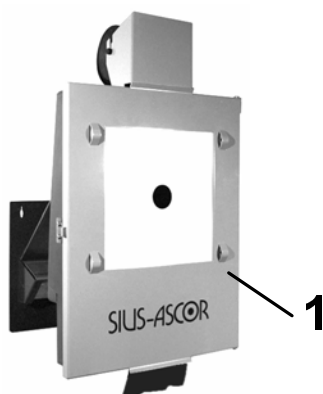
Pos.	Article No.	Pcs.	Description	Chapter
C6	KL001-2.0	1	Cable LTW m – f 2.0m plug, black	3.2.6
C7	RC-ZOOM	1	Remote control for SA941 zoom	3.1.13
1	Reference		Country-specific power supply cable, 2m	3.2.10

2.1.2 Target S10-LON for air rifle / air pistol

The target S10-LON is designed for all compressed air weapon disciplines with a distance of 10m.

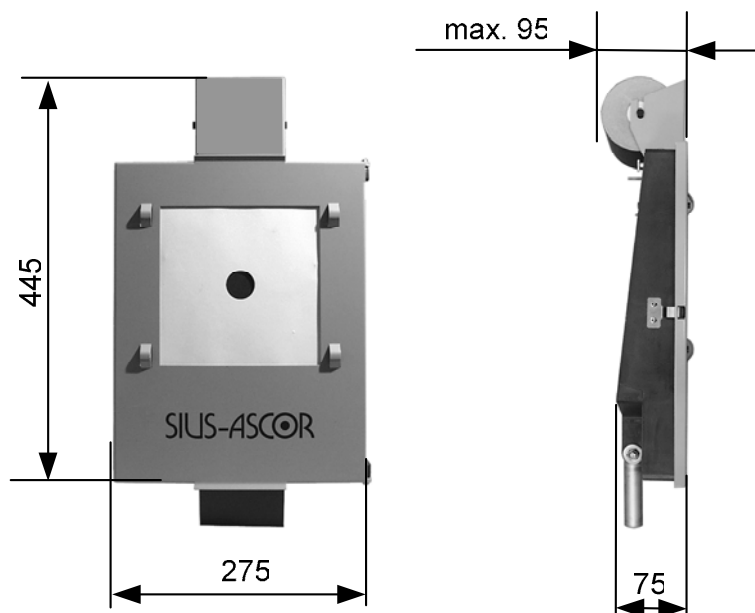
The four-microphone detection system guarantees the highest precision in the evaluation of the scoring installation. This target has therefore been used for numerous World Cup competitions and for numerous Olympic Games.

Equipped with a reinforced front frame (*Chapter 2.1.4.6 Reinforced front frame*) and a corresponding bullet trap, the S10-LON can also be used for 50m small bore rifles.



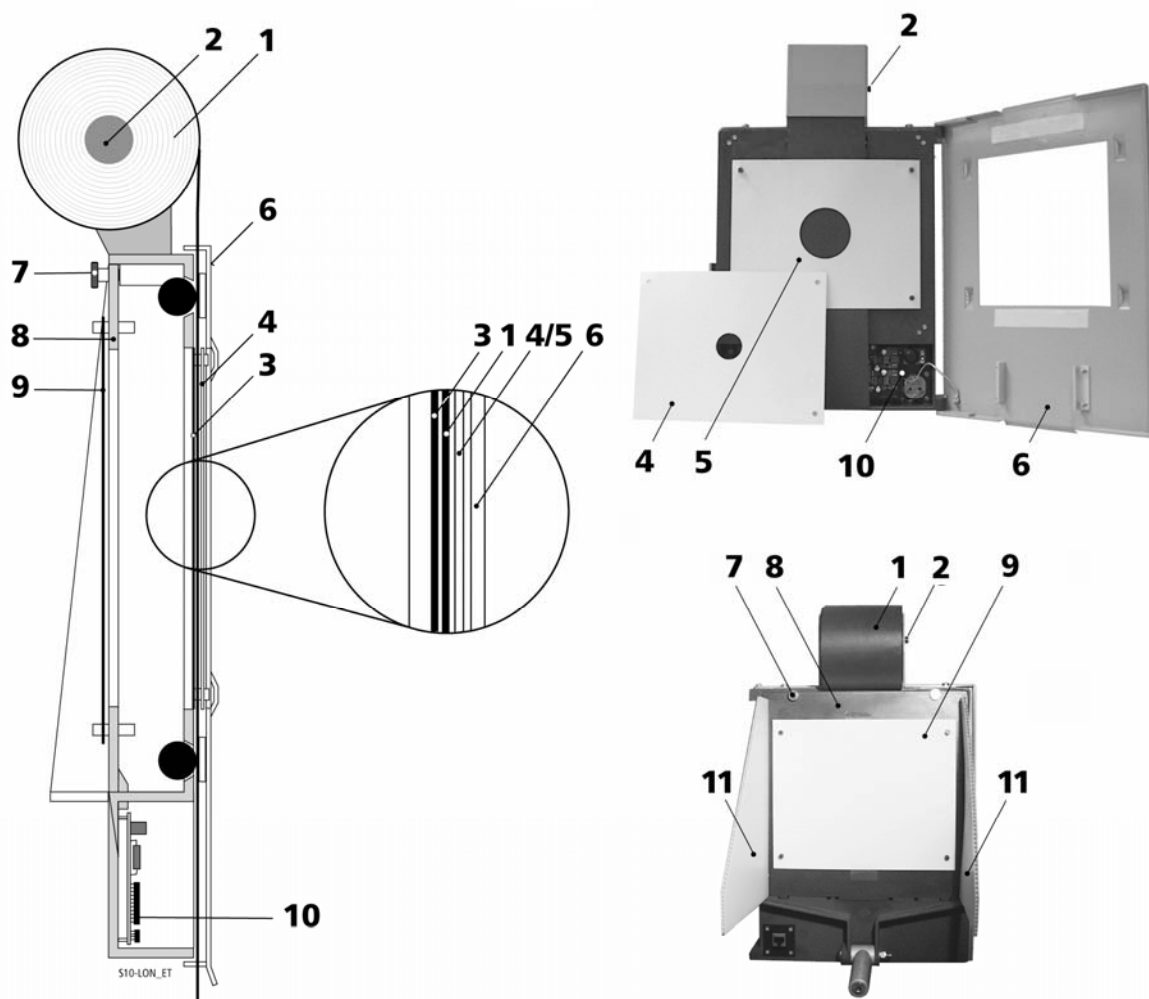
S10-LON specifications

Size (W x H x D):	275 x 445 x 75mm
Weight:	2.4 kg
Consumption:	7.6 W
Detection surface:	170 x 170mm



Pos.	Article No.	Description	Rem.
1	S10-LON	10m target for air rifle / air pistol	

2.1.3 Structure of the S10-LON



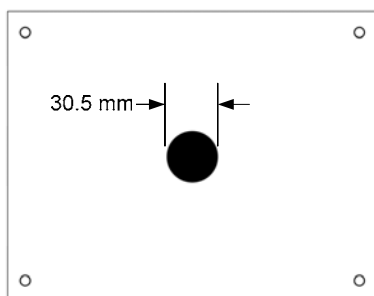
Pos.	Article No.	Description	Rem.
1.1	S20D001	Paper tape roll, black, 35m roll	2.1.4.2
1.2	S20A020	Paper tape roll, black, training (12 pieces)	2.1.4.2
2	S20A019	Paper tape roll axis	
3	S20A021	Membrane, black	
4	S20A022/10	ISSF air rifle target front mask (10 pieces)	2.1.4.1
5	S20A023/10	ISSF air pistol target front mask (10 pieces)	2.1.4.1
-	S10A001/10	ISSF SB rifle target front mask (10 pieces)	2.1.4.1 (optional)
6	S20D007	Front door, complete	
7	AMSR03X08	Screw with star shaped knob M3 x 8	
8	S20D004	Rear frame, complete	
9	S20A037/10	Backing target (10 pieces)	
10	LMEB001V0	Print LON measurement electronics for S10	
11	KFS20A005	Projectile spread protection 3mm	

2.1.4 Accessories for S10-LON

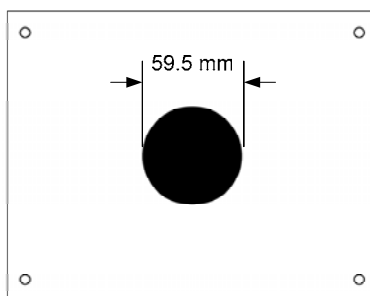
2.1.4.1 Target front masks

Various target front masks are available for the S10-LON electronic measurement target depending on the use of the front mask or the discipline being shot:

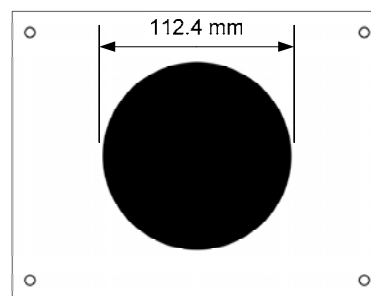
1. Air rifle 10m



2. Air pistol 10m



3. SB rifle 50m

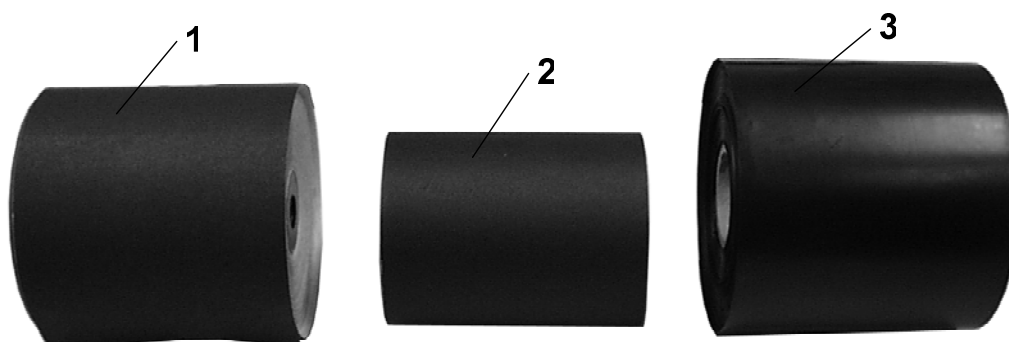


Pos.	Article No.	Description	Rem.
1	S20A022/10	ISSF air rifle target front mask (10 pieces)	
2	S20A023/10	ISSF air pistol target front mask (10 pieces)	
3	S10A001/10	ISSF SB rifle target front mask (10 pieces)	

2.1.4.2 Paper rolls (shooting control)

Three different types of rolls are available:

The roll in Pos. 1 is used for all competitions according to ISSF. The roll in Pos. 2 is made of thinner paper and can thus be used for training. When using the target in wet conditions, the plastic roll in Pos. 3 can be used.



Pos.	Article No.	Description	Rem.
1	S20D001	Paper tape roll, black	
2	S20A020	Paper tape roll, black, training	
3	S10D008	Plastic roll, black	

2.1.4.3 Target illumination BLS10

The target S10-LON, in combination with the wall-mounted target holder plate WHS10 (*Chapter 2.1.4.4 Wall-mounted target holder and bullet trap WHS10*) can be extended with the illumination BLS10. Two different halogen bulbs are available for this purpose, depending on the operating voltage (230 V or 110 V).

In addition, a country-specific power supply cable is required (Pos. 2).

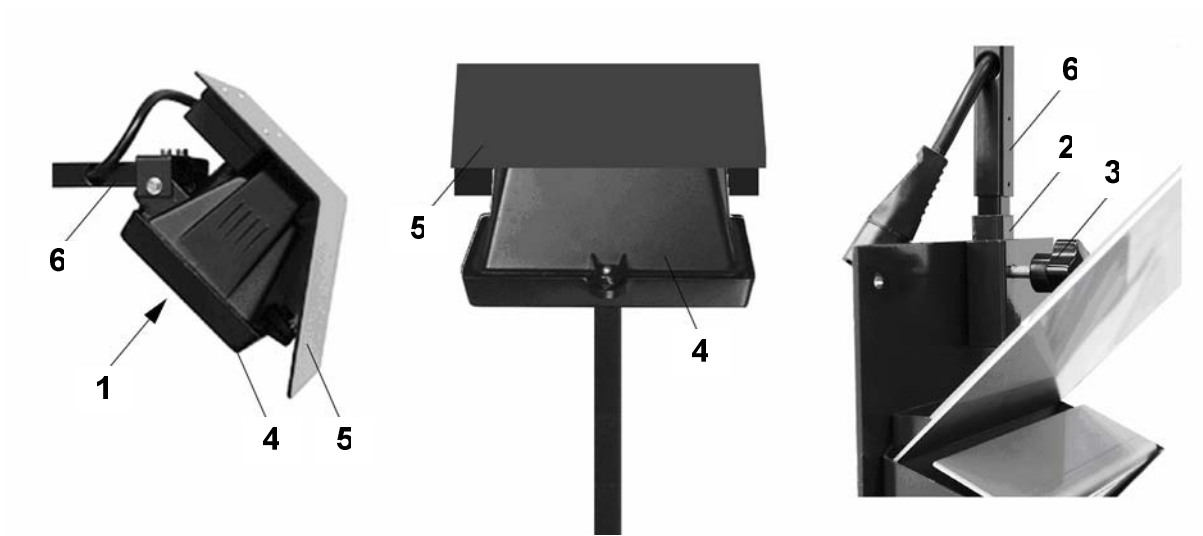


BLS10 specifications

Size (W x H x D):	150 x 370 x 530mm
Weight:	2.51 kg
Consumption:	75 W

Pos.	Article No.	Description	Rem.
1	BLS10V0	Target illumination for S10, complete, for 230V AC	
1	BLS10V1	Target illumination for S10, complete, for 110V AC	
2	Reference	Country-specific power supply cable, 2m	3.2.10

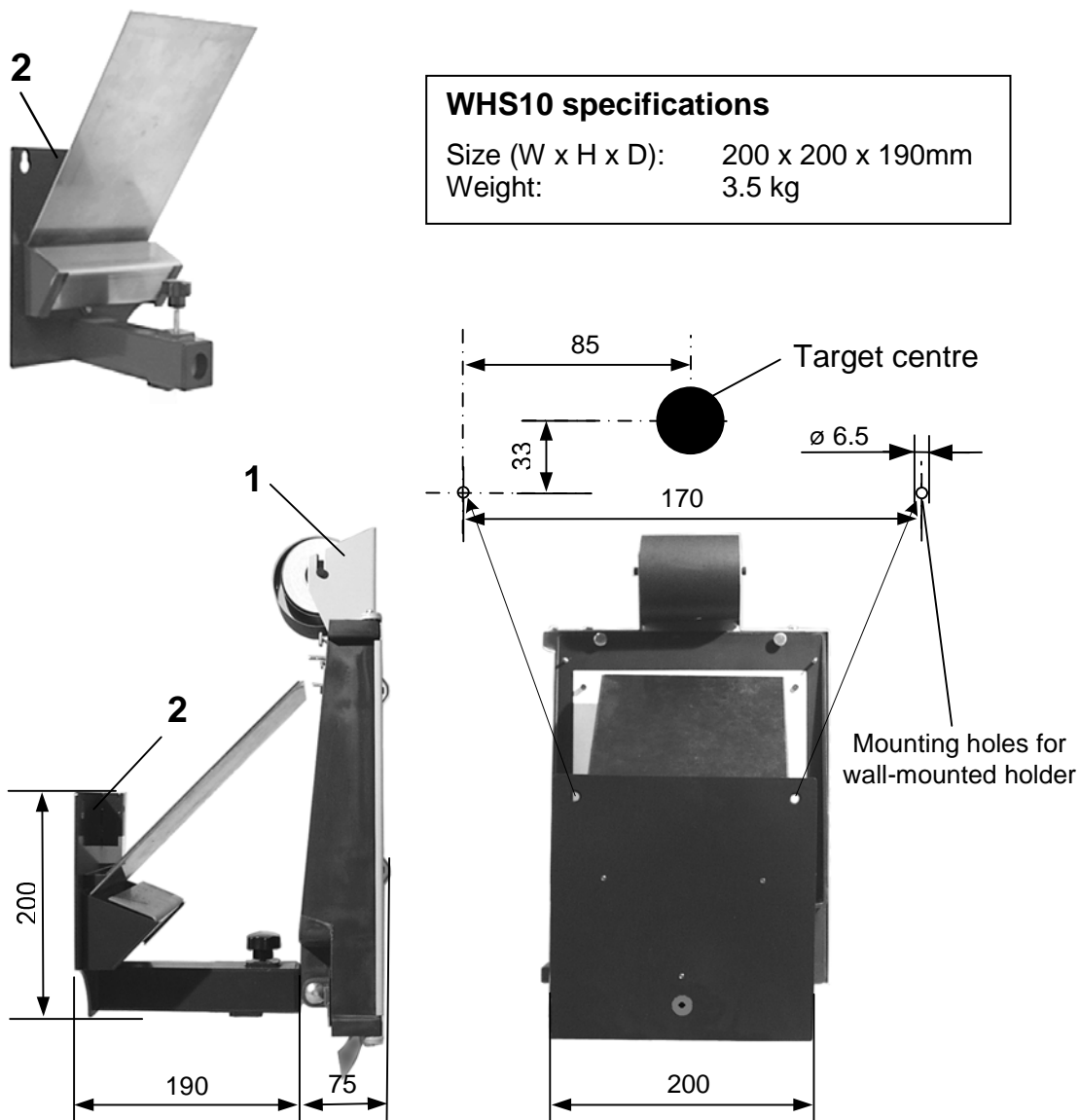
2.1.4.3.1 Structure of the target illumination BLS10



Pos.	Article No.	Description	Rem.
1	AE136	Halogen bulb, 230 V	
1	AE160	Halogen bulb, 110 V	
2	WHS10A004	Illumination holder	
3	AMA319	Star shaped knob	
4	AE137	Bulb housing	
5	BLS10A007	Protective cover	
6	BLS10D001	Lamp arm for BLS10	

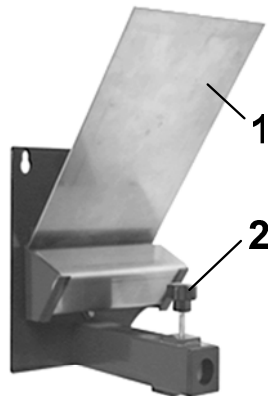
2.1.4.4 Wall-mounted target holder and bullet trap WHS10

The target can be connected to the wall-mounted target holder with its connecting bolts and fixed directly against a wall. The wall-mounted target holder is integrated with the bullet trap for air rifles and air pistols. This can be removed, emptied and installed again very easily.



Pos.	Article No.	Description	Rem.
1	S10-LON	10m target for air rifle / air pistol	2.1.2
2	WHS10	Wall-mounted target holder with bullet trap	

2.1.4.4.1 Structure of the bullet trap WHS10



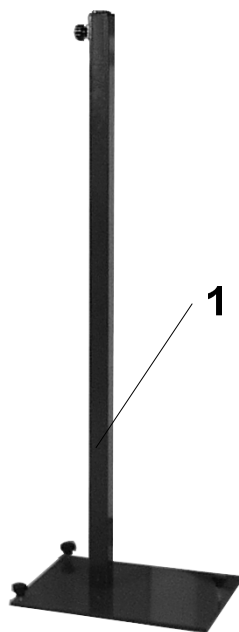
The wall-mounted target holder must not be used as a bullet trap for 50m small bore rifles.

Pos.	Article No.	Description	Rem.
1	KFS10	Bullet trap for S10-LTW-SET	
2	AMA319	Screw with star shaped knob VC 192/30p-M6x16	

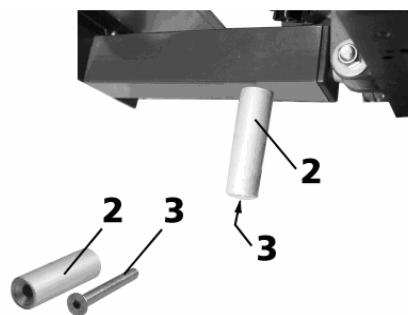
2.1.4.5 Pedestal BSS10

The pedestal BSS10 permits free erection of the S10-LON. The target can be fixed on directly with its fastening pin. If a wall-mounted target holder and a bullet trap are also used, then an additional mounting mandrel (Pos. 2) is necessary which is fastened with the countersunk screw (Pos. 3) to the cross beam of the wall-mounted target holder.

BSS10 specifications
 Size (W x H x D): 300 x 1175 x 400mm
 Weight: 13.5 kg
 Target centre: 140cm



Examples of use



Pos.	Article No.	Description	Rem.
1	BSS10	Pedestal for S10-LON	3.1.9.3
2	WHS20A004	Mounting mandrel for WHS10	
3	AMSSI08X70	Countersunk screw with hexagon socket	

2.1.4.6 Reinforced front frame

The reinforced front frame PPS10 permits the utilization of the target S10-LON (*Chapter 2.1.2 Target S10-LON for air rifle / air pistol*) for shooting with small bore weapons.

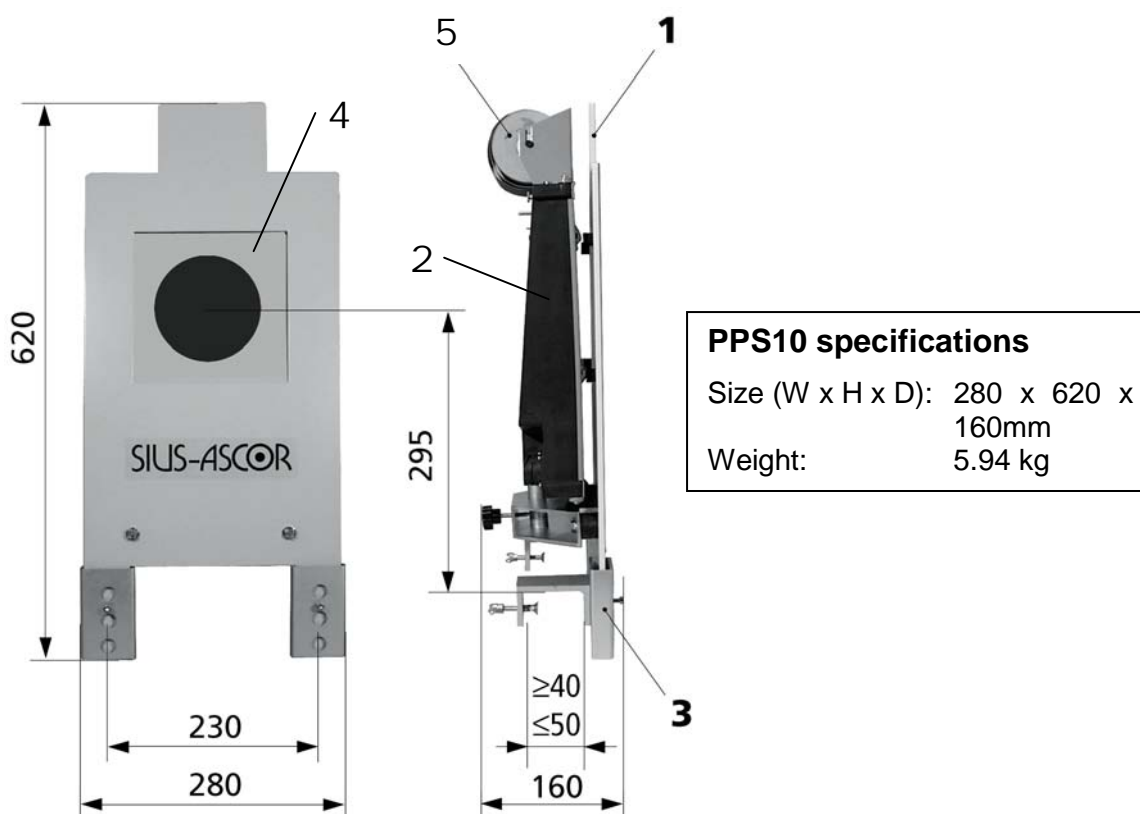
The S10-LON can be placed onto the reinforced front frame. The PPS10 itself is equipped with feet that fit into the target holder HS25.

!Caution!

A **corresponding bullet trap** must be used for **shooting** the S10-LON with **small bore weapons**.

The **wall mounted target holder WHS10** must **not be used** for **small bore shooting**.

The **target S10-LON** is **not weatherproof** and must be **set up in a protected position**. As paper is used to control the value of the shots, the **target must not be left in the open** but **must be stored in a dry place after use**. However, the reinforced front frame itself can be left in the open.



Pos.	Article No.	Description	Rem.
1	PPS10	Reinforced front frame for S10-LON SB	
2	S10-LON	10m target for air rifle / air pistol	2.1.2
3	HS25	S25/50 target holder board installation	2.3.4.2.2
4	S10A001/10	ISSF SB rifle target front mask (10 pieces)	2.1.4.1
5	S20D001	Paper tape roll, black	2.1.4.2